

Lemvig Maskin- & Køleteknik ApS

Havnen 12A · DK-7620 Lemvig · Danmark · www.lemvigmk.dk · E-mail: lmk@lemvigmk.dk
Tel. +45 97 82 32 33 · Mobil +45 21 20 80 33 · CVR DK27088805



Description of winch type LMK10KN-10E:

The winch is designed for a maximum dynamic load of 10KN and a maximum static load of 30KN.

Due to the mechanical construction of the winch, only one direction is permitted for hoisting when rotation. This is indicated on the dimension sketches, together with the other dimensions for the mounting.

Recommended wire dimension Ø10mm. Alternative dimensions – see below table.

The base frame is designed for horizontal mounting only.

The winch motor drives the drum through a spur gear and worm gear transmission. The winch is a totally enclosed watertight construction. A compact oil-tight gearbox encloses the gearing which is precision machine cut throughout.

All bearings for shafts are ball- and roller-bearings and run together with the gears in oil bath.

The motor, of totally enclosed deck watertight marine construction is flange mounted directly to the winch gearbox.

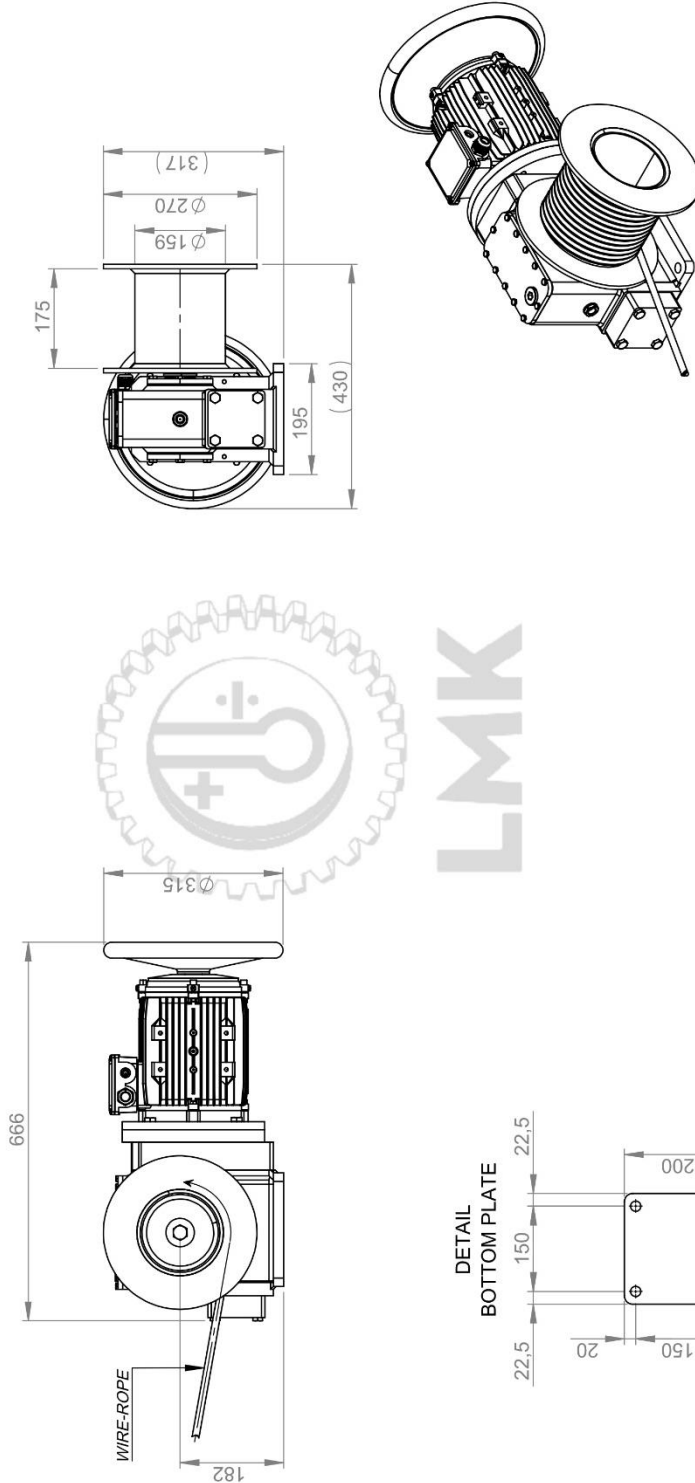
At the back end of the motor, a hand wheel is mounted for emergency operation. If the hand wheel is dismantled, the included protection cover must be mounted over the shaft pin. See spare parts list for el-motor.

Wire capacity per drum:

Wire diameter in mm.	Wire length in meter	Max. layers no.
Ø10	42	4
Ø12	26	3
Ø14	23	3

Lemvig Maskin- & Køleteknik ApS

Havnen 12A · DK-7620 Lemvig · Danmark · www.lemvigmk.dk · E-mail: lmk@lemvigmk.dk
 Tel. +45 97 82 32 33 · Mobil +45 21 20 80 33 · CVR DK27088805



Lemvig Maskin & Køleteknik ApS

HAVNEN 12A, DK-7620 LEMVIG · TLF: +45 97 82 32 33

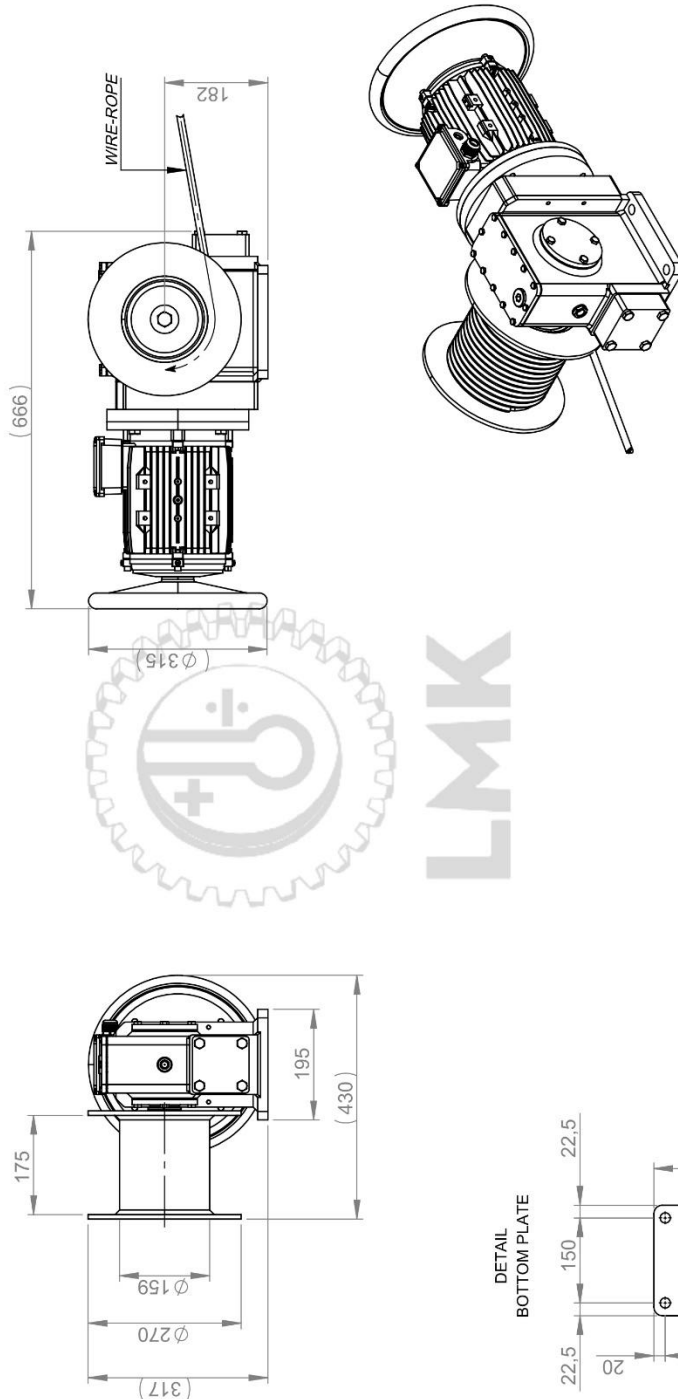
VOL:	WEIGHT:	REV:	REV. DATE:
INITIAL DESIGNER:	~78 KG.	ADO	
INITIAL APPROVER:	FE	FE	13-10-2021
MATERIAL:		CREATION DATE:	
SURFACE:		DRAW. NUM:	LMK10KN-10E-RD
CONFIDENTIAL PROPERTY OF: Lemvig Maskin & Køleteknik ApS, Denmark. Not to be handed over to, copied or used by third part.			A4
MODEL DESCRIPTION: ACCOMMODATION LADDER WINCH, RIGHT HAND DRUM			

LMK TEKNIK APS

MARINE ENGINES · SHIP REPAIR · REFRIGERATION · SLIPWAY · GANGWAYS

Lemvig Maskin- & Køleteknik ApS

Havnen 12A · DK-7620 Lemvig · Danmark · www.lemvigmk.dk · E-mail: lmk@lemvigmk.dk
 Tel. +45 97 82 32 33 · Mobil +45 21 20 80 33 · CVR DK27088805



Lemvig Maskin & Køleteknik ApS

HAVNEN 12A, DK-7620 LEMVIG · TLF: +45 97 82 32 33

VOL:	WEIGHT:	REV:	REV. DATE:
INITIAL DESIGNER:	~78 KG	ADO	13-10-2021
INITIAL APPROVER:	FE	FE	CREATION DATE:
MATERIAL:			DRAW. NUM:
SURFACE:			LMK10KN-10E-LD
CONFIDENTIAL PROPERTY OF: Lemvig Maskin & Køleteknik ApS, Denmark. Not to be handed over to, copied or used by third part.			
MODEL DESCRIPTION: ACCOMMODATION LADDER WINCH, LEFT HAND DRUM			
A4			

LMK TEKNIK APS

MARINE ENGINES · SHIP REPAIR · REFRIGERATION · SLIPWAY · GANGWAYS